

XGSPON-OLT-SN2

XGSPON OLT T1577nm/R1270nm SFP+ N2 Transceiver



Product Features

- ❖ Single fiber bi-directional data links TX 9.953Gbps, Burst Mode RX 9.953Gbps/2.488Gbps application
- ❖ 0 to 70°C operating case temperature
- ❖ 3.3V power supply
- ❖ SFP+ package with SC Receptacle connector
- ❖ Hot-pluggable capability
- ❖ High power 1577nm EML LD and high sensitivity 1270nm APD
- ❖ Support 20km transmission distance with SMF
- ❖ SD indication
- ❖ Low EMI and excellent ESD protection
- ❖ Digital diagnostic monitor interface
- ❖ RoHS6 compliance

Applications

- ❖ SFP+ XGS-PON OLT N2

Standards

- ❖ Complies with SFP+ MSA
- ❖ Complies with SFF-8472
- ❖ Complies with ITU G.9807.1
- ❖ Complies with FCC 47 CFR Part 15, Class B
- ❖ Complies with FDA 21 CFR 1040.10 and 1040.11

Absolute Maximum Rating

Parameter	Symbol	Min.	Max	Unit	Notes
Storage Ambient Temperature	TSTG	-40	85	°C	
Operating Case Temperature	Tc	0	70	°C	
Operating Humidity	OH	5	95	%	
VCC3 Power Supply Voltage	VCC3	-0.5	3.6	V	

Recommended Operating Condition

Parameter	Symbol	Min.	Typ.	Max.	Unit	Notes
Operating Case Temperature	Tc	0		70	°C	
Power Supply Voltage	Vcc	3.13	3.3	3.47	V	
Power Supply Consumption	P			2.5	W	
TX Data Rate			9.953		Gbps	
RX Data Rate			9.953/2.488		Gbps	

Transmitter Optical Characteristics

Parameter	Symbol	Min.	Typ.	Max.	Unit	Notes
Optical Center Wavelength	λ_C	1575		1580	nm	

Optical Spectrum Width (-20dB)	$\Delta\lambda$	--	-	1	nm	
Side Mode Suppression Ratio	SMSR	30			dB	
Average Launch Optical Power	AOP	+4		+7	dBm	Launched into SMF
Power-OFF Transmitter Optical Power				-39	dBm	Launched into SMF
Extinction Ratio	ER	8.2			dB	PRBS231-1 @9.953Gbps
Optical Waveform Diagram	Compliant with G.9807.1					Figure 1, Mask Margin>5%
Transmitter and Dispersion Penalty	TDP			1	dB	Transmit on 20km SMF

Transmitter Electrical Characteristics

Parameter		Symbol	Min.	Typ.	Max.	Unit	Notes
Data Input Differential Swing			180		850	mV	
Input Differential Impedance			90	100	110	Ω	
TX Disable	Disable		2		VCC	V	
	Enable		0		0.8	V	
TX Fault	Fault		2.4		VCC+0.3	V	
	Normal		-0.3		0.4	V	

Transmitter Eye Mask Definitions And Test Procedure

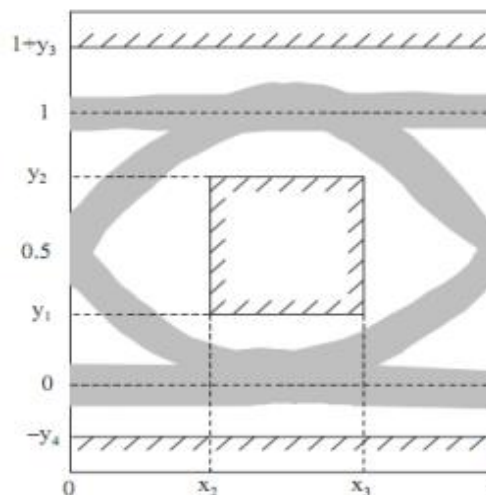


Figure 1 XGS-PON OLT Transmitter Eye Mask Definitions

X3-X2	Y1	Y2	Y3	Y4	Unit
0.2	0.25	0.75	0.25	0.25	UI

XGSPON Receiver Optical Characteristics

Parameter	Symbol	Min.	Typ.	Max.	Unit	Notes
Operating Wavelength		1260		1280	nm	
Sensitivity	SEN			-28	dBm	PRBS231-1@9.953Gbps BER $\leq 1 \times 10^{-3}$
Saturation Optical Power	SAT	-7			dBm	PRBS231-1@9.953Gbps BER $\leq 1 \times 10^{-3}$
SD De-Assert Level		-45			dBm	
SD Assert Level				-29	dBm	
Signal Detected Hysteresis		0.5		6	dB	
CID		72			Bit	

XGPON Receiver Optical Characteristics

Parameter	Symbol	Min.	Typ.	Max.	Unit	Notes
Operating Wavelength		1260		1280	nm	
Sensitivity	SEN			29.5	dBm	PRBS223-1@2.488Gbps BER $\leq 1 \times 10^{-4}$
Saturation Optical Power	SAT	-9			dBm	PRBS223-1@2.488Gbps BER $\leq 1 \times 10^{-4}$
SD De-Assert Level		-45			dBm	
SD Assert Level				-30	dBm	
Signal Detected Hysteresis		0.5		6	dB	
CID		72			Bit	

Recommended XGS/XGPON Receiver Timing Characteristics

Parameter	Symbol	Min.	Typ.	Max.	Unit.	Notes
RSSI Trigger-Low		0		0.8	V	
RSSI Trigger-High		2.0		VCC	V	
Data Output Differential Swing		340		850	mV	CML output, DC coupled

Reset-Low		0		0.8	V	
Reset-High		2.0		VCC	V	
SD Voltage-Low		0		0.4	v	
SD Voltage-High		2.4		VCC	V	
Reset Width	Tr		25.6		ns	Suggest the first Reset location is partial in the preamble of the optical packet.
Data Recovery Time	Ts		50	100	ns	
SD De-Assert Time	TSDD			50	ns	
SD Assert Time	TSDA			50	ns	
Guard time	Tg		50		ns	

Timing Parameter Definitions In Burst Mode Sequence

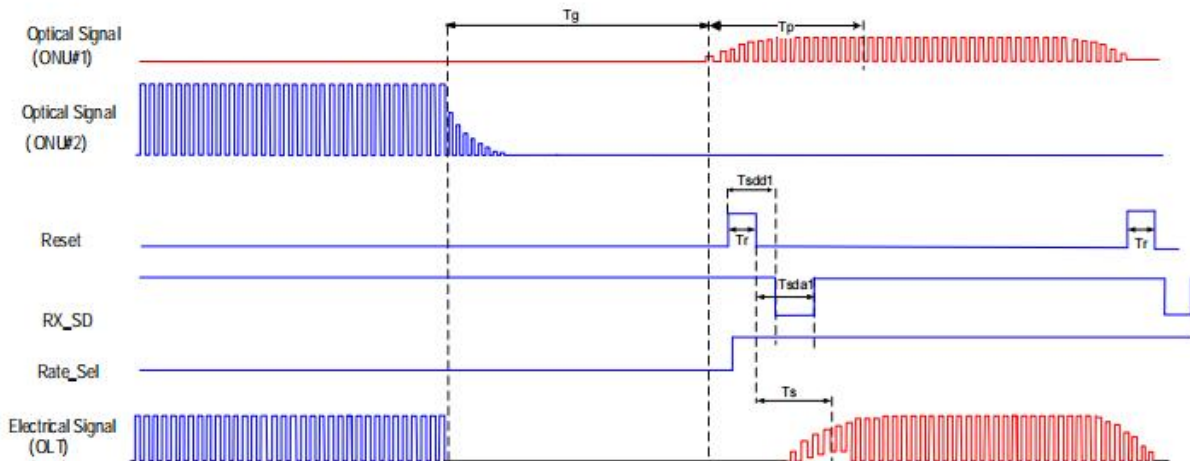


Figure 2 Timing Parameter Definitions in Burst Mode Sequence

Rssi Timing Sequence

Parameter	Symbol	Min.	Typ.	Max.	Unit.	Notes
Optical Signal During Time	T _{opt}	1200			ns	
RSSI Trigger width	TW	500			ns	
RSSI Trigger Delay	TD	150			ns	

2C Access Prohibited Time	T_s			500	μs	
---------------------------	-------	--	--	-----	---------	--

Digital RSSI Sample/Hold Timing Specification

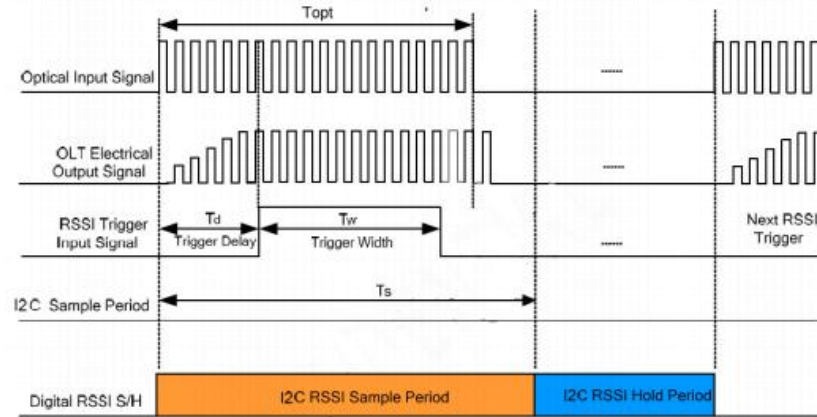


Figure 3 Timing Parameter Definitions in RSSI Trigger

Pin Out Drawing

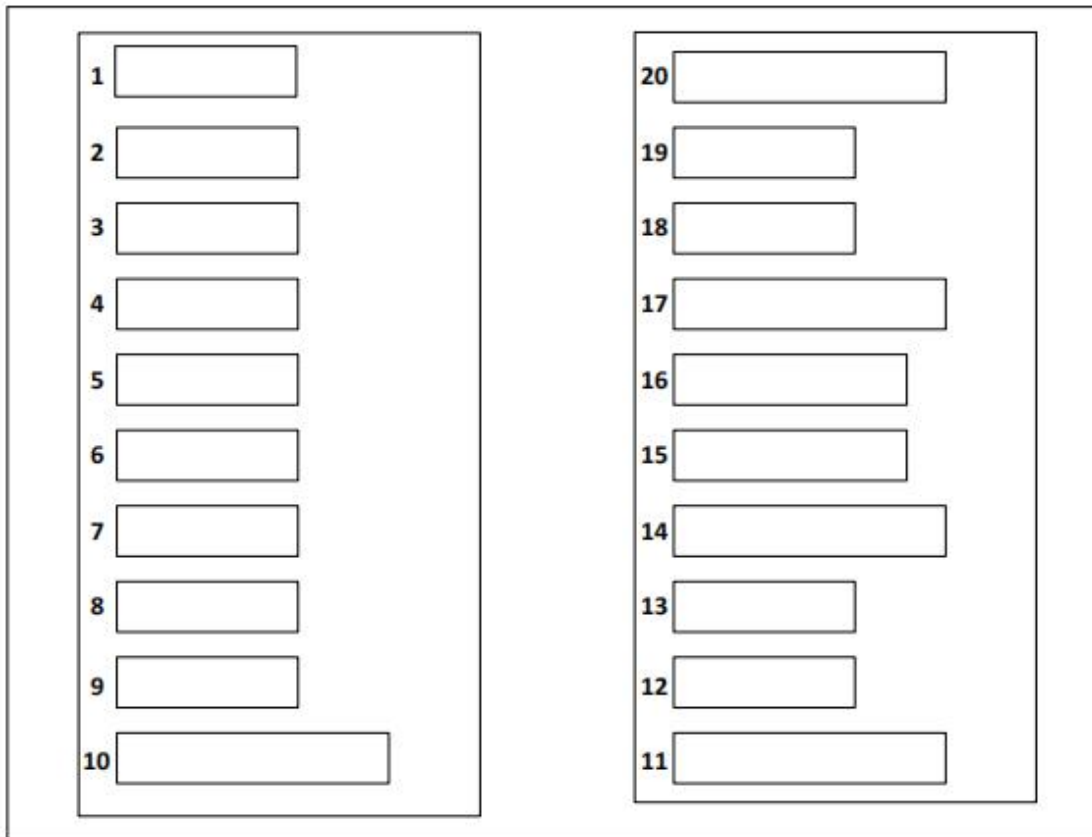


Figure 4 Pin Out Drawing

PIN	Name	Description	Notes
1	Rate_Select	Rate select	Low:2.488Gbps, High:9.953Gbps
2	TX_Fault	TX fault out	
3	TX_Disable	TX disable in	
4	SDA	I2C Data in/out	
5	SCL	I2C Clock in	
6	MOD_ABS	Module absent	
7	RX_Reset	Reset	Active High
8	RX_SD	Signal detect out	
9	RSSI_Trigger	RSSI trigger in	
10	GND	GND.	
11	GND	GND.	
12	XGS_RD-	XGSPON data out, CML	CML output, DC coupled; squelch function
13	XGS_RD+	XGSPON data out, CML	CML output, DC coupled; squelch function
14	GND	GND.	
15	VCCR	Module power	
16	VCCT	Module power	
17	GND	GND.	
18	XGS_TD+	XGSPON data in, CML	
19	XGS_TD-	XGSPON data in, CML	
20	GND	GND.	

Package Outline

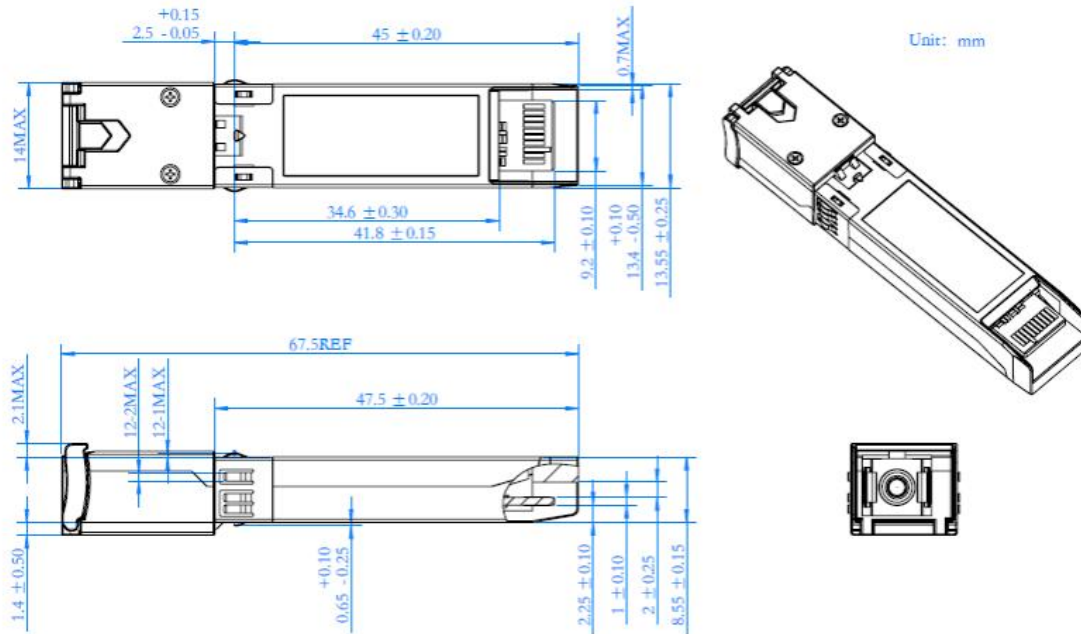


Figure 5 Package Outline

EEPROM Block Diagram

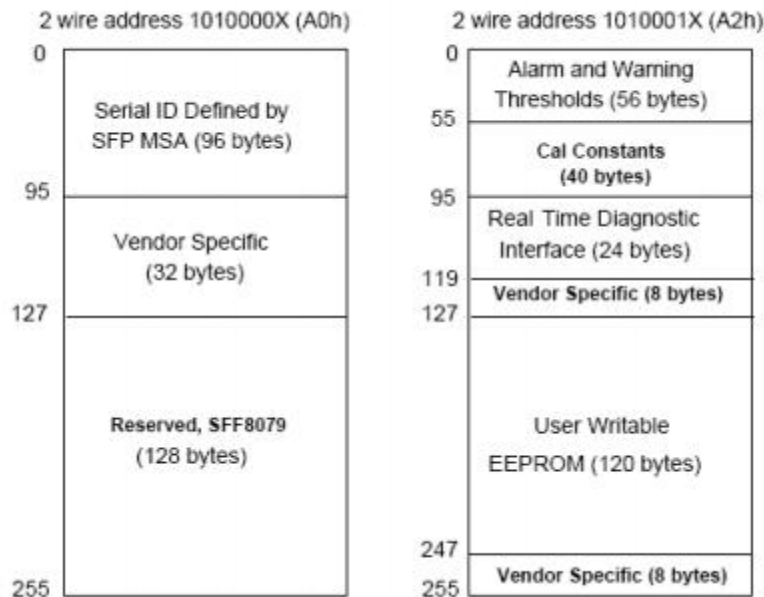


Figure 6 EEPROM Memory Map Specific Data Field Descriptions

Digital Diagnostic Monitoring Interface

Parameter	Range	Accuracy	Calibration	NOTES
Temperature	0 to 70°C	±3°C	Internal	LSB: 1/256C
Voltage	2.97 to 3.63V	±5%	Internal	LSB: 0.1mV
Bias Current	0 to 262mA	±10%	Internal	LSB: 4uA
TX Power	4 to 7dBm	±3dB	Internal	LSB: 0.2uW
RX Power	-30 to -7dBm	±3dB	Internal	LSB: 0.1uW

Ordering Information

Part Number	XGSPON-OLT-SN2
Application	XGSPON OLT, 0°C~+70°C
Wavelength (nm)	T1577/R1270
Data Rate (Gb/s)	T9.95/R9.95, 2.488
ODN Class	N2
Package	SFP+
Connector	SC/UPC