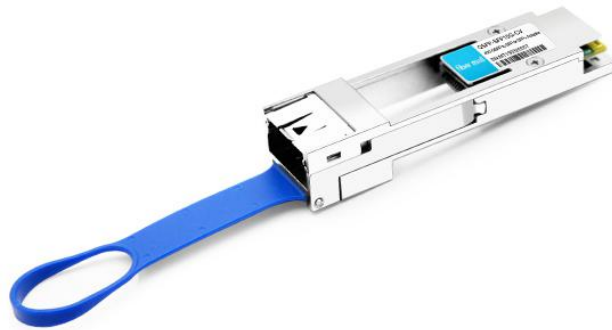


QSFP-SFP10G-CV

40G QSFP to SFP or SFP+ Adapter



Product Features

- ❖ Trouble-free installation and network bring-up
- ❖ Compliant to industry standards: QSFP+ MSA SFF-8436 / SFP+ MSASFF-8431
- ❖ Precision process control for minimization of pair-to-pair skew
- ❖ 1 independent duplex channels operating at 10Gbps, also support for 2.5Gbps, 5Gbps datarates
- ❖ All-metal housing for superior EMI performance
- ❖ 100 ohm differential impedance system
- ❖ Operating case temperature: 0 to 70°C
- ❖ Low insertion loss
- ❖ Low crosstalk
- ❖ Secure latching mechanism
- ❖ RoHS compliant

Applications

- ❖ DataServers、Routers、Switches
- ❖ Networked storagesystems
- ❖ Data Centernetworking
- ❖ InfiniBand Trade Association(IBTA)
- ❖ IEEE-802.3ba
- ❖ MSASFF-8431

Description

The QSFP+ to SFP+ Adapter (QSA) Module offers 10 Gigabit Ethernet connectivity for Quad Small Form-Factor Pluggable (QSFP)-only platforms. It allows smooth and cost-effective migration to 40 Gigabit Ethernet by providing an option to use lower-speed Enhanced Small Form-Factor Pluggable (SFP+) modules in empty QSFP ports or when the other end of the network is running at lower speeds.

The QSA Module converts a QSFP port into an SFP+ port. With this adapter, customers have the flexibility to use any SFP+ module or cable to connect to a lower-speed port on the other end of the network. This flexibility allows a cost-effective transition to 40 Gigabit Ethernet by maximizing the use of high-density 40 Gigabit Ethernet QSFP platforms. This

adapter supports all SFP+ optics and cable reaches. Compatible Switch Models and SFP+ Modules. A list of SFP+ transceiver modules that can be plugged into the QSA module is provided in the following table.

SFP or SFP+ Transceiver Modules

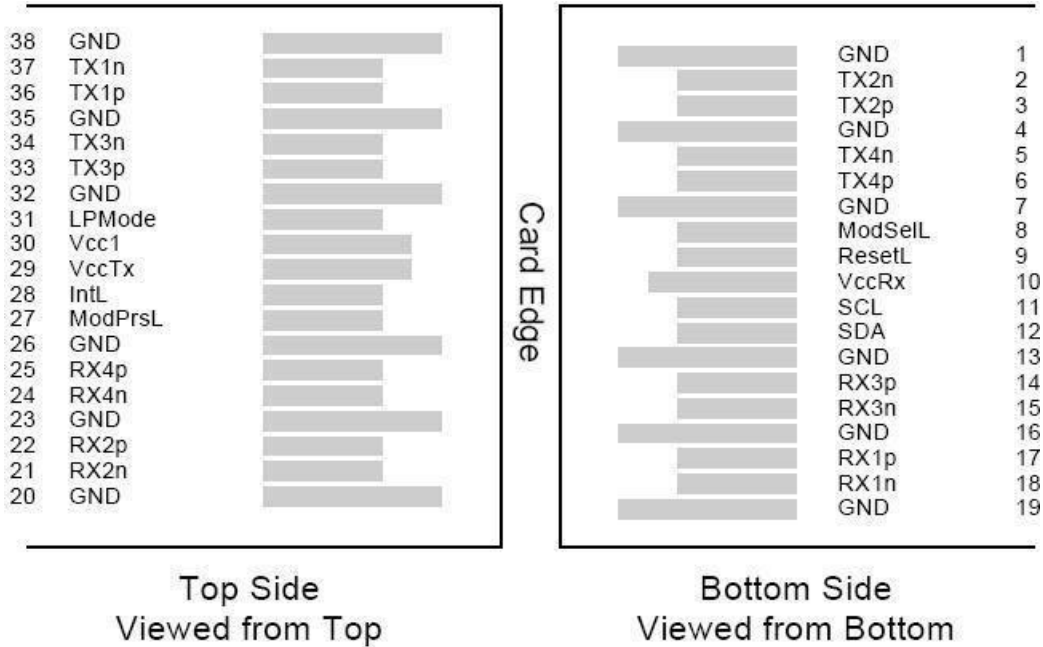
Item	Product Name	Product Description
1	SFP-10G-SR	10GBASE-SR SFP+ Module for Multimode Fiber
2	SFP-10G-LR	10GBASE-LR SFP+ Module for Single-Mode Fiber
3	SFP-10G-ER	10GBASE-ER SFP+ Module for Single-Mode Fiber
4	SFP-10G-ZR	DWDM SFP+ Modules for Single-Mode Fiber
5	10G SFP+ Copper Cables	SFP+ Copper Cables (1-m to 10-m lengths)
6	10G SFP+ Active Optical Cables	SFP+ Active Optical Cables (1-m to 10-m lengths)

Recommended Operation Condition

Parameter	Symbol	Min	Max	Unit
Operating Case Temperature	Topc	0	70	degC
Storage Temperature	Tst	-40	85	degC
Relative Humidity (non-condensation)	RS	-	85	%
Supply Voltage	VCC3	3.15	3.45	V

QSFP+ Host board Connector Pin out

Pin Definitions



Pin	Logic	Symbol	Name/Description	Note
1		GND	Ground	1
2	CML-I	Tx2n	Transmitter Inverted Data Input	
3	CML-I	Tx2p	Transmitter Non-Inverted Data output	
4		GND	Ground	1
5	CML-I	Tx4n	Transmitter Inverted Data Input	
6	CML-I	Tx4p	Transmitter Non-Inverted Data output	
7		GND	Ground	1
8	LVTLL-I	ModSelL	Module Select	
9	LVTLL-I	ResetL	Module Reset	
10		VccRx	+ 3.3V Power Supply Receiver	2
11	LVC MOS-I/O	SCL	2-Wire Serial Interface Clock	
12	LVC MOS-I/O	SDA	2-Wire Serial Interface Data	
13		GND	Ground	

14	CML-O	Rx3p	Receiver Non-Inverted Data Output	
15	CML-O	Rx3n	Receiver Inverted Data Output	
16		GND	Ground	1
17	CML-O	Rx1p	Receiver Non-Inverted Data Output	
18	CML-O	Rx1n	Receiver Inverted Data Output	
19		GND	Ground	1
20		GND	Ground	1
21	CML-O	Rx2n	Receiver Inverted Data Output	
22	CML-O	Rx2p	Receiver Non-Inverted Data Output	
23		GND	Ground	1
24	CML-O	Rx4n	Receiver Inverted Data Output	1
25	CML-O	Rx4p	Receiver Non-Inverted Data Output	
26		GND	Ground	1
27	LVTTL-O	ModPrsL	Module Present	
28	LVTTL-O	IntL	Interrupt	
29		VccTx	+3.3 V Power Supply transmitter	2
30		Vcc1	+3.3 V Power Supply	2
31	LVTTL-I	LPMODE	Low Power Mode	
32		GND	Ground	1
33	CML-I	Tx3p	Transmitter Non-Inverted Data Input	
34	CML-I	Tx3n	Transmitter Inverted Data Output	
35		GND	Ground	1
36	CML-I	Tx1p	Transmitter Non-Inverted Data Input	
37	CML-I	Tx1n	Transmitter Inverted Data Output	
38		GND	Ground	1

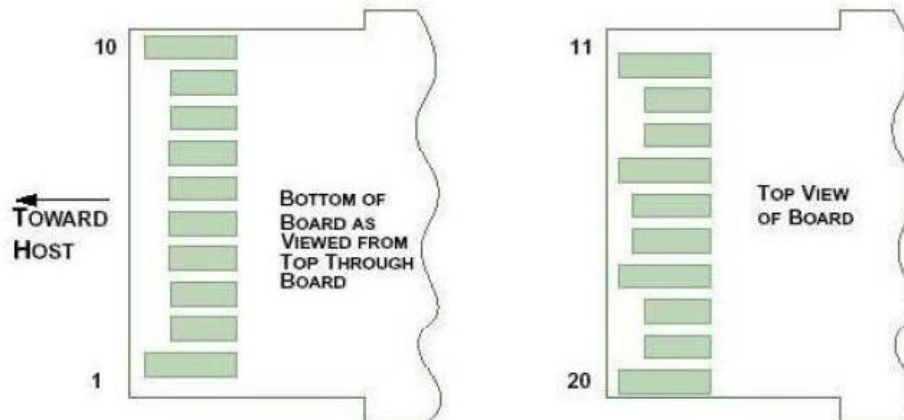
Note:

1.GND is the symbol for signal and supply (power) common for QSFP modules. All are common within the QSFP module and all module voltages are referenced to this potential otherwise noted. Connect these directly to the host board signal common groundplane

2.cc Rx, Vcc1 and Vcc Tx are the receiver and transmitter power suppliers and shall be applied concurrently. Recommended host board power supply filtering is shown below. VccRx, Vcc1 and VccTx may be internally connected within the QSFP transceiver module in any combination. The connector pins are each rated for a maximum current of 500mA.

SFP+ Host board Connector Pin out for SFP+

Pin Definitions

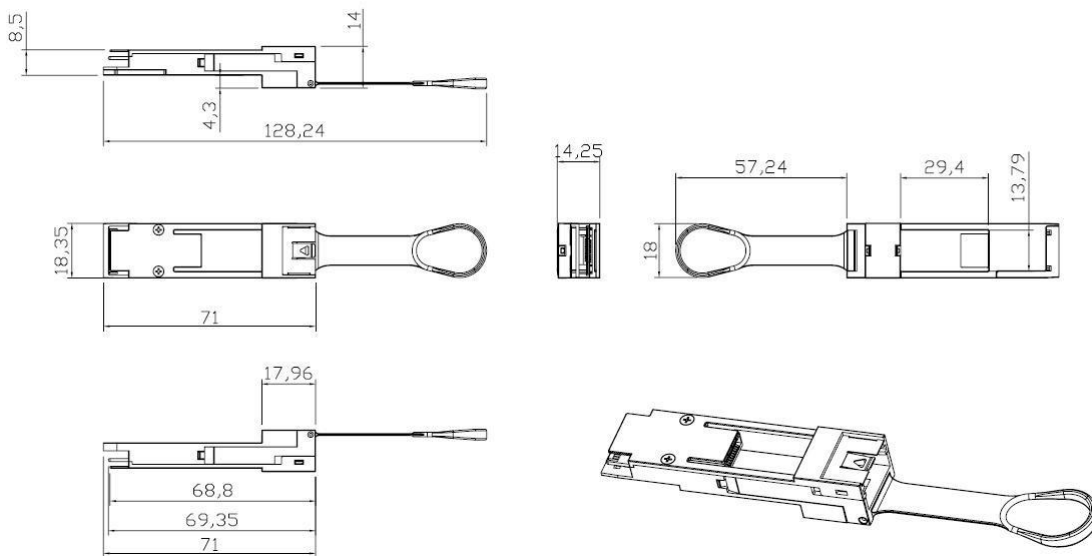


Pin	Logic	Symbol	Name/Description	Note
1		VeeT	Module Transmitter Ground	1
2	LVTTTL-O	Tx_Fault	Transmitter Fault	2
3	LVTTTL-I	Tx_Disable	Transmitter Disable	3
4	LVTTTL-I/O	SDA	MOD-DEF2 2-wire serial interface data line	4
5	LVTTTL-I/O	SCL	MOD-DEF1 2-wire serial interface clock line	4
6		Mod_Abs	Module Absent	5
7	LVTTTL-I	RS0	Rate Select Zero	
8	LVTTTL- O	Rx_LOS	Module Receiver Loss of Signal	2
9	LVTTTL-I	RS1	Rate Select One	
10		VeeR	Module Receiver Ground	1
11		VeeR	Module Receiver Ground	1
12	CML-O	RD-	Receiver Inverted Data Output	
13	CML-O	RD+	Receiver Non-Inverted Data Output	
14		VeeR	Module Receiver Ground	1
15		VccR	Module Receiver 3.3V Supply	
16		VccT	Module Transmitter 3.3V Supply	
17		VeeT	Module Transmitter Ground	1
18	CML-I	TD+	Transmitter Non-Inverted Data Input	
19	CML-I	TD-	Transmitter Inverted Data Input	
20		VeeT	Module Transmitter Ground	1

Notes:

1. The module signal grounds, VeeR and VeeT, shall be isolated from the module case.
2. This is an open collector/drain output and shall be pulled up with 4.7-10k to Vcc_Host on the host board. Pull ups can be connected to multiple power supplies, however the host board design shall ensure that no module has voltage exceeding module VccT/R + 0.5V.
3. This is an open collector/drain input and shall be pulled up with 4.7-10k to VccT in the module.
4. See 2-wire electrical specifications.
5. This shall be pulled up with 4.7-10k to Vcc_Host on the host board.

Mechanical Dimensions



Ordering Information

Part Number	Description
QSFP-SFP10G-CV	40G QSFP to SFP or SFP+ Adapter 0 to 70 °C